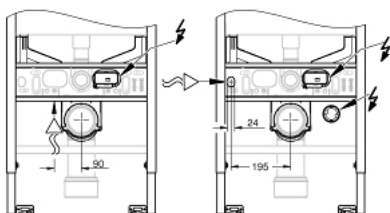
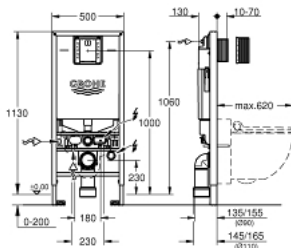


## 39 865 000 RAPID SLX ELEMENT FOR WC, 1.13 M INSTALLATION HEIGHT WITH INTEGRATED SOCKET AND SHOWER TOILET CONNECTION



### PRODUKTA APRAKSTS (1/2)

- flushing cistern GDX, 6 l
- with integrated power socket
- ready for shower toilets (water)
- including two shafts: small revision shaft for small flush plates, regular shaft for regular plates
- for on-the-wall installations or studded walls
- powder coated steel frame, self-supporting
- for dry-cladding, completely pre-assembled
- with fixed connections
- quick adjustment, lockable
- fixing material
- TÜV approved
- 2 WC fixing bolts
- fixing device for ceramic
- distance of fixing bolts 180/230 mm
- outlet bend Ø 90 mm
- depth adjustable
- reducer Ø 90/110 mm
- inlet and outlet connecting set
- flushing cistern GDX, 6 l, containing following features:
  - adjustment ex factory 6 l and 3 l
  - pneumatic discharge valve offering 3 modes of operation: dual flush or start/stop or single flush
  - water supply from right, back or top
- low noise (group I acc. to German Noise Specification)
- fully insulated against condensation
- 1/2" water supply connection including integrated angle valve and push fit flexible hose union
- no tools required for the installation of the inspection shaft incl. protection during construction phase
- for vertical use
- including flow manager
- reduces flow of the flush



Pure Freude  
an Wasser

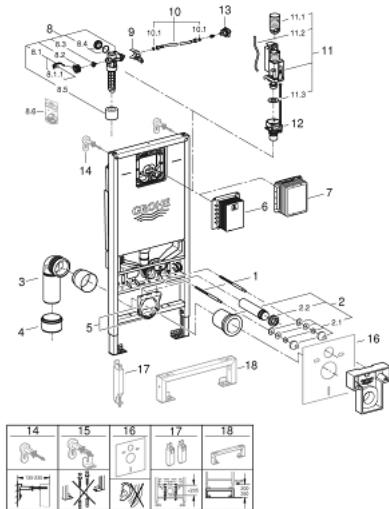


## 39 865 000 **RAPID SLX ELEMENT FOR WC, 1.13 M INSTALLATION HEIGHT WITH INTEGRATED SOCKET AND SHOWER TOILET CONNECTION**

### **PRODUKTA APRAKSTS** (2/2)

- prevents overflow in rimless toilets
- easy flow regulation via inspection shaft without removing the valves
- for on-the-wall installation please order wall brackets 38 558 00M (sold separately)

## 39 865 000 RAPID SLX ELEMENT FOR WC, 1.13 M INSTALLATION HEIGHT WITH INTEGRATED SOCKET AND SHOWER TOILET CONNECTION



### REZERVES DAĻAS, novembris 2021 – tagad

- 1: Threaded bolt (Rezerves daļas Nr. 4276400M)
- 2: WC inlet and outlet connecting set (Rezerves daļas Nr. 37311K00)
  - 2.1: Basin fastening (Rezerves daļas Nr. 43511SH0)
  - 2.2: Connector (Rezerves daļas Nr. 37119000)
- 3: PP-outlet bend Ø 90 mm (Rezerves daļas Nr. 42327000)
- 4: Reducer (Rezerves daļas Nr. 42242000)
- 5: Support for outlet bend (Rezerves daļas Nr. 42243000)
- 6: Revision shaft for small flush plates (Rezerves daļas Nr. 40911000)
- 7: Inspection shaft (Rezerves daļas Nr. 66791000)
- 8: Filling valve (Rezerves daļas Nr. 42583000)
  - 8.1: Lever (Rezerves daļas Nr. 43734000)
    - 8.1.1: Seal (Rezerves daļas Nr. 4377000M)
  - 8.2: Valve head (Rezerves daļas Nr. 43536000)
  - 8.3: Membrane (Rezerves daļas Nr. 4375800M)
  - 8.4: Screw cap (Rezerves daļas Nr. 43735000)
  - 8.5: Valve float, 5 pcs. (Rezerves daļas Nr. 4379100M)
- 8.6: Set of seals (Rezerves daļas Nr. 43722000)\*
- 9: Support device (Rezerves daļas Nr. 42246000)
- 10: Tube (Rezerves daļas Nr. 42233000)
  - 10.1: Sealing washer (Rezerves daļas Nr. 0319100M)
- 11: Dual Flush discharge valve AV1 (Rezerves daļas Nr. 42320000)
  - 11.1: Extension for overflow pipe (Rezerves daļas Nr. 42313000)
  - 11.2: Pneumatic hose (Rezerves daļas Nr. 42319000)
  - 11.3: Seal (Rezerves daļas Nr. 42310000)
- 12: Valve seat (Rezerves daļas Nr. 42593000)
- 13: Water connection (Rezerves daļas Nr. 48561000)
- 14: Wall brackets (Rezerves daļas Nr. 3855800M)\*
- 15: Xtra wall brackets, flexible placing (Rezerves daļas Nr. 38733000)\*
- 16: Set for noise protection (Rezerves daļas Nr. 37131000)\*
- 17: Accessory (Rezerves daļas Nr. 39607000)\*
- 18: Extension for Rapid SL and Rapid SLX (Rezerves daļas Nr. 38629001)\*

\* Izvēles aksesuāri