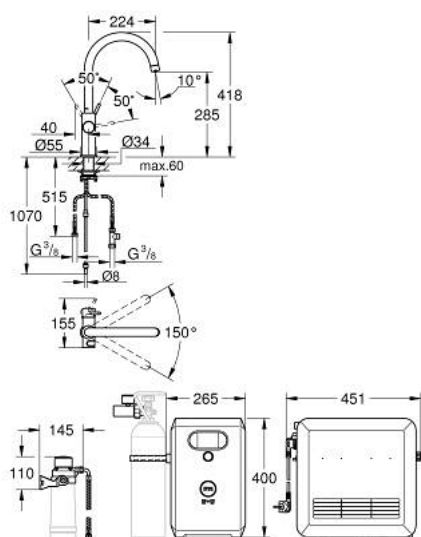


31 323 KS2 GROHE BLUE PROFESSIONAL C-SPOUT KIT



PRODUKTA APRAKSTS (1/2)

- Krāsa: velvet black
- consisting of:
 - GROHE Blue single-lever sink mixer with filter function
 - single hole installation
 - C-spout
 - push buttons for 3 types of filtered and chilled table water
 - still, medium, sparkling
 - GROHE SilkMove 28 mm ceramic cartridge
 - swivel tubular spout, swivel area 150°
 - separate inner water ways for filtered and non-filtered water
 - flexible connection hoses
 - GROHE Blue Professional cooler
 - delivers 12 liters of chilled sparkling water per hour
 - colour display with push and turn control
 - 270 Watt cooling unit, 230 V, 50 Hz
 - sound level in standby 46 dB(A)
 - type of protection IP 21
 - CE approved
 - requires ventilation holes in the bottom of the kitchen cabinet
 - software set-up and monitoring of filter and CO₂ capacity possible via GROHE Watersystems app
 - push notifications at low filter resp. CO₂ capacity
 - with Bluetooth* and Wi-Fi interface for wireless data communication
 - for Apple** and Android devices
 - Bluetooth range (max. 10 m) varies depending on used materials and walls between transmitter and receiver
 - cleaning cartridge adapter, for use with GROHE Blue cleaning cartridge 40 434 001
 - filter head with flexible water hardness adjustment
 - CO₂ pressure indicator
 - GROHE Blue filter, CO₂ bottle and cleaning cartridge are not included in the delivery and have to be ordered separately

31 323 KS2 GROHE BLUE PROFESSIONAL C-SPOUT KIT

PRODUKTA APRAKSTS (2/2)

- suitable filters:- filter S-size, capacity 600 l at 20° dKH (40 404 001)- filter M-size, capacity 1500 l at 20° dKH (40 430 001)- filter L-size, capacity 2500 l at 20° dKH (40 412 001)- activated carbon filter, capacity 3000 l (40 547 001)- Ultrasafe filter, capacity 3000 l (40 575 002)- Magnesium + Zinc filter, capacity 400 l at 17° dGH (40 691 002)
- System requirements Apple iPhone with iOS 14.0 or higher System requirements Android smart phone with Android 10.0 or higher Mobile devices and GROHE Watersystems App*** are not included in delivery and have to be ordered separately via an authorised Apple store/store/iTunes or Google Play store.* The Bluetooth word mark and logos are registered trademarks owned by Bluetooth SIG, Inc. and any use of such marks by Grohe AG is under license. Other trademarks and trade names are those of their respective owners.** Apple, the Apple logo, iPod, iPod Touch, iPhone and iTunes are trademarks of Apple Inc., registered in the U.S. and other countries. Apple is not responsible for the function of this device or its compliance with safety and regulatory standards.*** Available for free via iTunes app or Google Play store.
- Connected product pursuant to regulation (EU) 2023/2854. Pre contractual information at <https://eu-data-act.grohe.com/>

