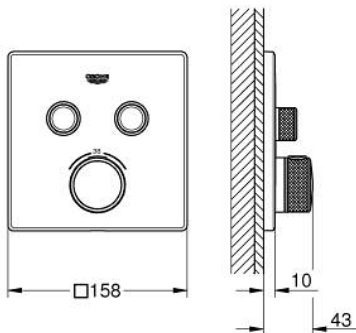
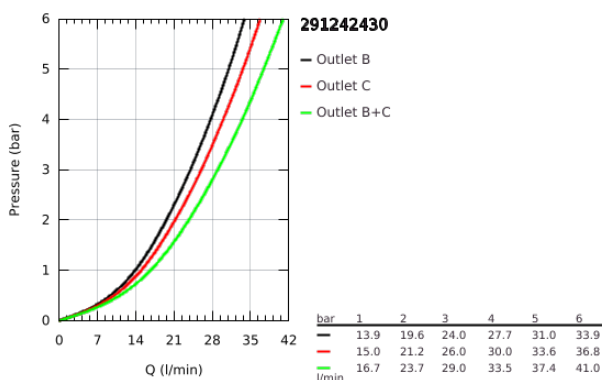


## 29 124 243 0 GROHTHERM SMARTCONTROL THERMOSTAT FOR CONCEALED INSTALLATION WITH 2 VALVES

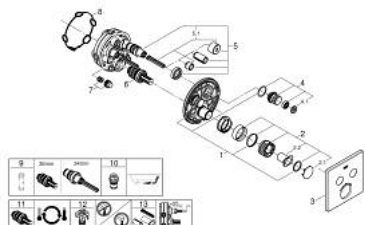


### PRODUKTA APRAKSTS

- Krāsa: matte black
- trim set for GROHE Rapido SmartBox 35 600/35 604
- metal wall escutcheon with GROHE FastFixation (covered escutcheon and shaft sealing, covered fixing), retroactively 6° adjustable
- GROHE SmartControl - control the shower with intuitive push/turn button
- exchangeable symbols
- GROHE TurboStat - compact cartridge with wax thermoelement
- GROHE ProGrip - with knurl structure
- GROHE SafeStop - safety button at 38°C
- GROHE SafeStop Plus - optional temperature limiter at 43°C or 46°C included
- built-in non return valves and dirt strainers
- multiple outlets can be run simultaneously
- without roughing-in set 35 600/35 604 (please order separately)
- flow performance: outlet B = 24 l/min outlet C = 26 l/min outlet B+C = 29 l/min



## 29 124 243 0 GROHTHERM SMARTCONTROL THERMOSTAT FOR CONCEALED INSTALLATION WITH 2 VALVES



### REZERVES DAĻAS, maijs 2024 – tagad

- 1: Mounting plate (Rezerves daļas Nr. 48363000)
- 2: Temperature control handle (Rezerves daļas Nr. 490292430)
  - 2.1: Cover cap (Rezerves daļas Nr. 1015032430)
  - 2.2: handle adaptor (Rezerves daļas Nr. 1015059990)
- 3: Escutcheon (Rezerves daļas Nr. 490392430)
- 4: Push button (Rezerves daļas Nr. 483612430)
  - 4.1: pushbutton (Rezerves daļas Nr. 140772430)
- 5: Cartridge (Rezerves daļas Nr. 48359000)
  - 5.1: Spindle (Rezerves daļas Nr. 49088000)
- 6: Thermostatic compact cartridge 3/4" (Rezerves daļas Nr. 49028000)
- 7: Non-return valves (Rezerves daļas Nr. 47979000)
- 8: Seal (Rezerves daļas Nr. 48360000)
- 9: Socket spanner (Rezerves daļas Nr. 49059000)\*
- 10: Backflow protection combination (DIN-EN1717) (Rezerves daļas Nr. 14055000)\*
- 11: GROHE TurboStat cartridge 3/4" (Rezerves daļas Nr. 49003000)\*
- 12: Service stops (Rezerves daļas Nr. 1405300M)\*
- 13: Universal extension set single-lever mixers, 25 mm (Rezerves daļas Nr. 14048000)\*

\* Izvēles aksesuāri